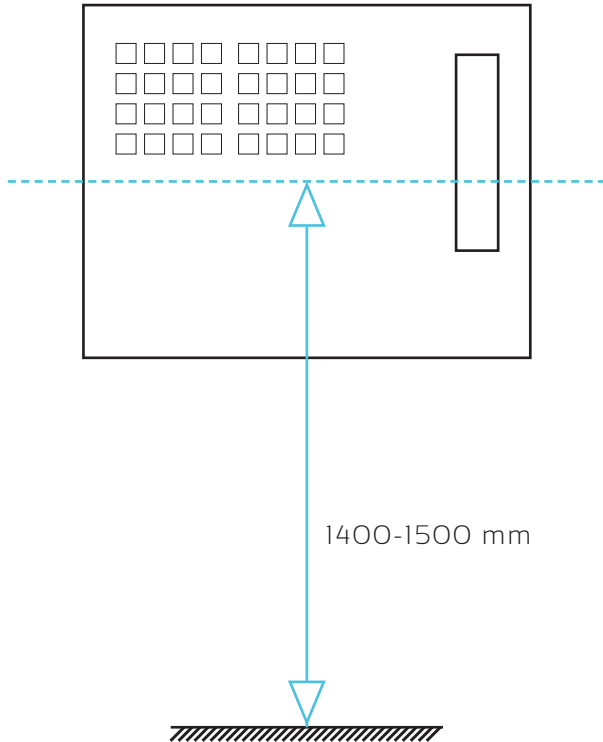


EVC Mounting Heights

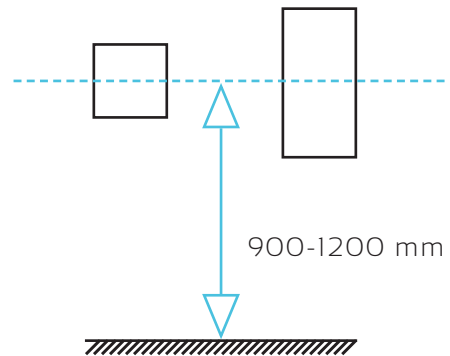
This document outlines recommended mounting heights for master control panels and outstations in an emergency voice communication (EVC) system.

CONTROL PANEL:

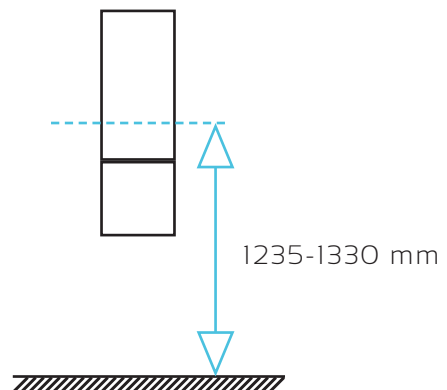


REMOTE UNITS - IN REFUGE AREAS:

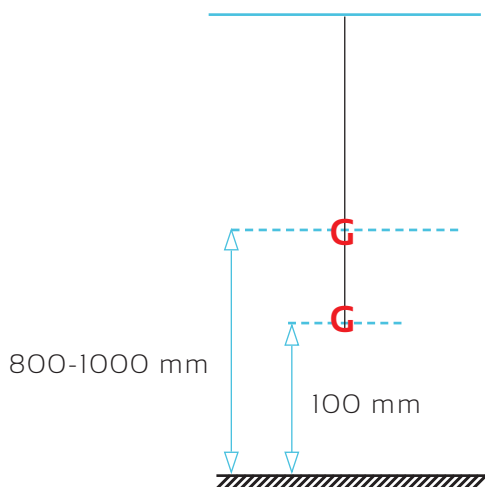
Typically disabled refuge remotes:



Combined remote (OmniCare):

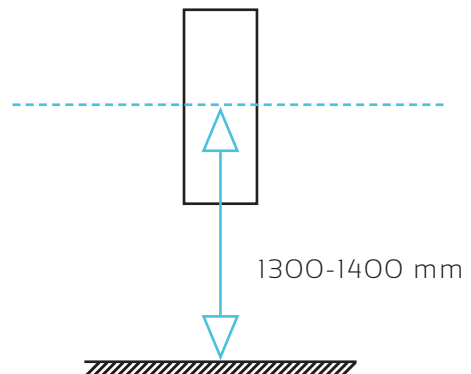


DISABLED TOILET ALARM PULL CORD:



REMOTE UNITS:

Typically fire telephones & steward telephones:



Our Emergency Voice Communication Systems:

Omnicare:

- Loop wired system - four core.
- 4-127 way panels.
- Networkable - up to 127 outstations, multiple slave panels.
- Touchscreen interface option.
- Addressable system (via outstation).
- Can be linked to local fire panel.
- Fully monitored and battery backed (batteries included).
- Any combination of outstation on a single loop.
- Outstation options:
 - Disabled refuge (DRS).
 - Advance disabled refuge.
 - Fire telephone.
 - Steward telephone.
 - Combined DRS & fire telephone.
 - Disabled toilet alarm.



CARE2:

- Radial wired system - two core.
- 4-16 way panels.
- Networkable - up to 256 outstations, single slave panel.
- Touchscreen interface option.
- Configure via panel LCD and encoder, laptop, SD card.
- Fire panel link option available.
- Fully monitored and battery backed (batteries included).
- Any combination of outstation to a single panel.
- Outstation options:
 - Disabled refuge (DRS).
 - Fire telephone.
 - Steward telephone.
 - Roaming telephone.
 - Disabled toilet alarm.



BALDWIN BOXALL
LEADING THE WAY TO SAFETY

Baldwin Boxall Communications Ltd
Wealden Industrial Estate, Farningham Road,
Crowborough, East Sussex, TN6 2JR, United Kingdom

T: +44 (0) 1892 664422
E: hello@baldwinboxall.co.uk
W: www.baldwinboxall.co.uk